

Installation Instructions

Glass Door Mount

Applicable for the following: Slide (Standard Profile).

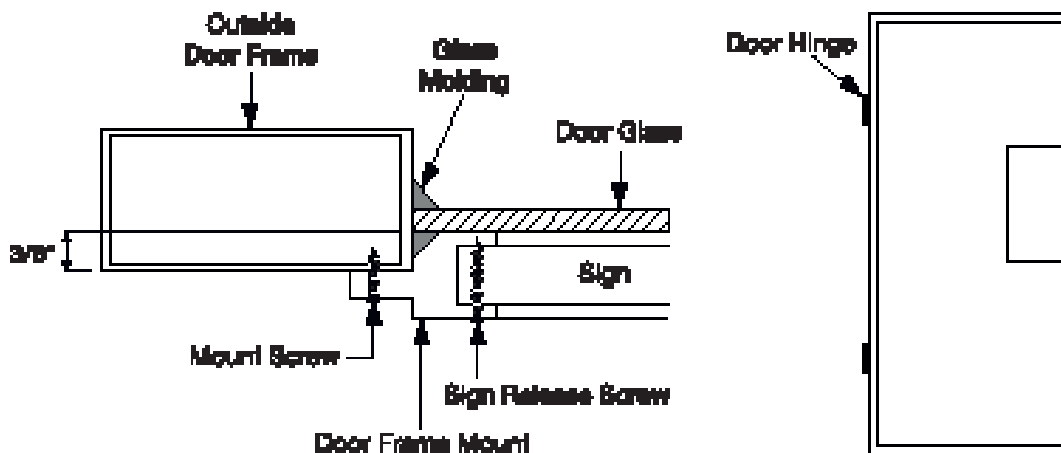
This mount is intended for mounting standard style sign securely to inside of aluminum door frame.

1. Clean glass.
2. Position sign in door frame and mark mounting hole location.
3. Center punch and drill mounting holes. This will require a 1/8" diameter drill.
4. Mount sign with self-tapping #8 Phillips Head Screws that are provided.

Note: This mount is not intended for signs longer than 12". Sign will be shipped as ordered with right or left hand mounting position. To change the opposite hand, flip sign over (side to side) and change inserts to read properly.

If there are any questions, please contact our Technical Support Department at 800.777.4310.

Typical Applications:



IMPORTANT: Prior to installation, remove all contents from box and inspect each sign for damage. Box should contain signs, hardware, and mounting instructions for each style of mount used. Surface of the sign must be handled with care. Clean with water and mild detergent.

Customer is responsible for suitability of each mounting option. Testing is recommended prior to each use.

Rev. 1.2019