

Installation Instructions

Panel Mount - Hanger (F-Mount)

Applicable for the following: Slide (Thin & Standard Profiles).

This mount is intended for panel mounting using a hook device for standard or thin style signs.

1. Remove either end cap from sign. Locking end caps will require a locking pin or #1 Phillips head screw driver to remove end cap, depending if the sign is thin or standard.
2. Slide F-Mount into top track of thin style sign. Center mount on sign. Replace end cap. Signs 15" and wider require two hooks.

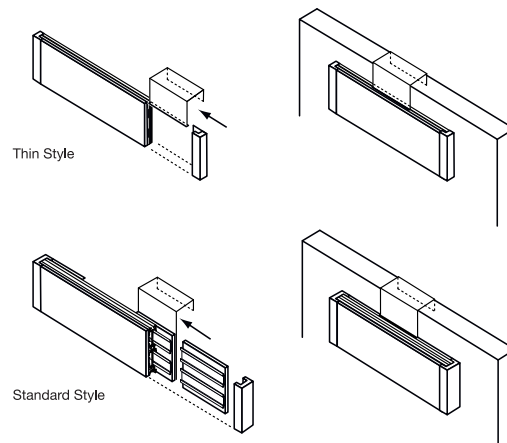
Note: For standard style sign remove end cap and back insert and install F-Mount in center of sign. Re-install back insert and end cap.

3. Mount sign over panel.

Note: For standard style signs, mount 2" from top of panel. For thin and Arc style signs, mount 1-1/2" from top of panel. This method is not recommended for panels over 66" high. Taller panels should use mounting methods A, B, C, or E. This mount not recommended for signs over 144 square inches.

If there are any questions, please contact our Technical Support Department at 800.777.4310.

Typical Applications:



IMPORTANT: Prior to installation, remove all contents from box and inspect each sign for damage. Box should contain signs, hardware, and mounting instructions for each style of mount used. Surface of the sign must be handled with care. Clean with water and mild detergent.

Customer is responsible for suitability of each mounting option. Testing is recommended prior to each use.

Rev. 1.2019