

Modular Installation Instructions

Glass Mount - Inside of Glass (L-Mount)

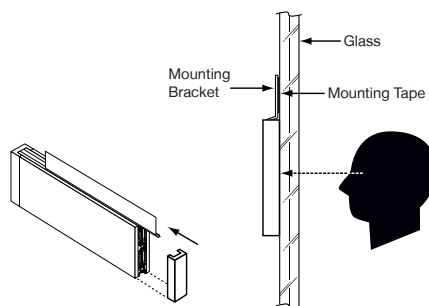
This mount is intended for mounting a standard style sign on the inside of glass.

1. Clean glass surface to insure good adhesion.
2. Remove either end cap from sign. Locking end caps will require a #1 Phillips head screw driver to remove end cap. Slide sign onto mounting posts by inserting the "T" bottom of the post into the top slot of sign and slide sign into position.
3. Slide mounting bracket in top of sign with taped side facing copy side of sign (towards glass). Replace end cap.
4. Remove liner on tape.
5. Position sign lightly on glass and check alignment.
6. Press taped area firmly in place.

Note: This mount is not recommended for signs larger than 144 square inches. Signs over 50 square inches requires an additional L-Mount on the bottom of rail.

If there are any questions, please contact our Technical Support Department at 800.777.4310.

Typical Applications:



IMPORTANT: Prior to installation, remove all contents from box and inspect each sign for damage. Box should contain signs, hardware, and mounting instructions for each style of mount used. Surface of the sign must be handled with care. Clean with water and mild detergent.

Customer is responsible for suitability of each mounting option. Testing is recommended prior to each use.

Rev. 8.4.11