

## Modular Installation Instructions

### Ceiling Mount - Track (I-Mount)

This mounting is intended for application to a standard 1" or 1/2" suspended ceiling track or spline style of grid system (size to be noted on order). Mounting bracket is made of two pieces of the same part. Two brackets are supplied with each sign.

Note: Signs over 40" require an additional bracket. Recommended ceiling height is under 10 feet.

1. To mount bracket, snap one half of bracket to track about 4-6" from where end of sign is planned. Place other half of bracket on opposite side of track. The two halves form one unit (see drawing below).

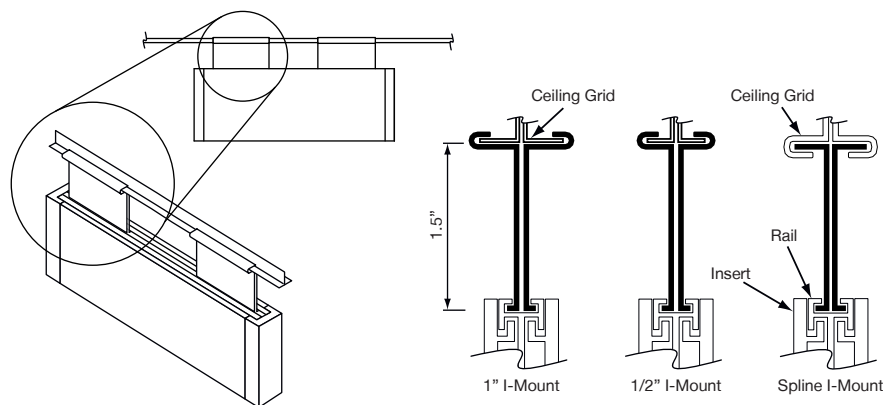
Note: Spline mount brackets go inside of track system.

2. Mount second bracket as in step 1.
3. Remove either end cap from sign. Locking end caps will require a #1 Phillips head screw driver to remove end cap. Slide sign onto bracket by inserting the "T" bottom of the bracket into the top slot of sign and slide sign into position. Replace end cap and screws.

Note: When mounting longer signs in confined areas (such as corridors) where slide-in method is restricted, insert brackets into sign first and spread bracket to snap over ceiling track. (Some installers prefer this method in open areas as well.)

If there are any questions, please contact our Technical Support Department at 800.777.4310.

#### Typical Applications:



**IMPORTANT:** Prior to installation, remove all contents from box and inspect each sign for damage. Box should contain signs, hardware, and mounting instructions for each style of mount used. Surface of the sign must be handled with care. Clean with water and mild detergent.

Customer is responsible for suitability of each mounting option. Testing is recommended prior to each use.

Rev. 1.2019