

## Modular Installation Instructions

### Ceiling Mount - Rigid (N-Mount)

---

This mount is intended for applications to ceiling where a rigid mounting post is needed.

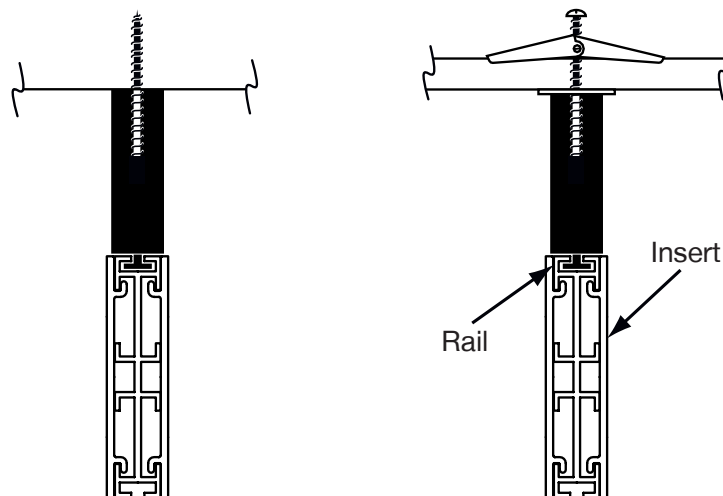
1. Install two mounting posts in desired locations using a 11/16" hole for toggle bolt (false ceiling) application, or a 3/16" pilot hole for wood screw (solid wood) application. Distance between posts should be approximately 4" less than sign width.

**Note:** Gripping tool is needed for installation, wrap mounting posts to protect finish.

2. Remove either end cap from sign. Locking end caps will require a #1 Phillips head screw driver to remove end cap. Slide sign onto mounting posts by inserting the "T" bottom of the mounting post into the top slot of sign and slide sign into place and replace endcap. It is recommended that signs under 60" wide have two mounting posts and the signs 60" and over have three mounting rods. Signs over 12" in height may require additional posts.

If there are any questions, please contact our Technical Support Department at 800.777.4310.

#### Typical Applications:



**IMPORTANT:** Prior to installation, remove all contents from box and inspect each sign for damage. Box should contain signs, hardware, and mounting instructions for each style of mount used. Surface of the sign must be handled with care. Clean with water and mild detergent.

**Customer is responsible for suitability of each mounting option. Testing is recommended prior to each use.**