

## INSTALLATION INSTRUCTIONS – QUAD SIGN CEILING MOUNT (HANGING) – MOUNT J

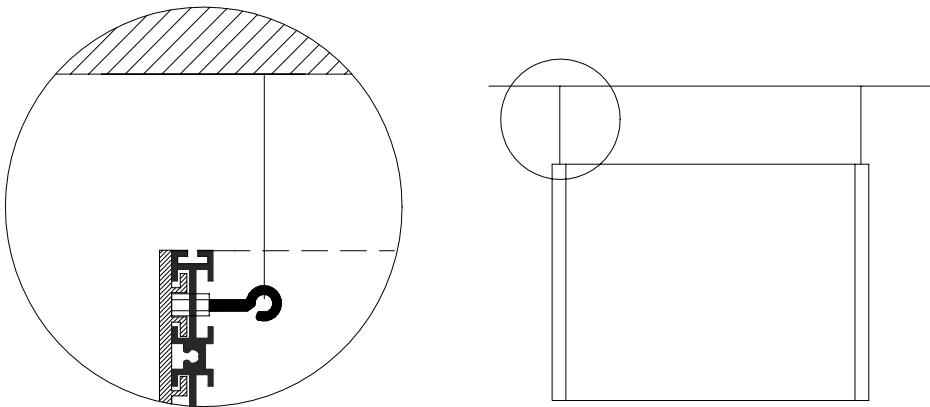
This mount is intended for mounting the Quad Sign to ceilings, rafters, joists, or other overhead structures.

1/4 x 20 “Eye” bolts are provided in the inside corners of the sign. Hanging cable (not provided) should be connected to each corner for hanging.

As an alternative to four separate hang lines, we suggest looping two lines opposite sides. The “looping” makes leveling much easier.

If there are any questions, please contact our Technical Support Department at 800.777.4310.

### Typical Application:



**IMPORTANT:** Prior to installation, remove all contents from box and inspect each sign for damage. Box should contain signs, hardware, and mounting instructions for each style of mount used. Surface of the sign must be handled with care. Clean with water and mild detergent.

**Customer is responsible for suitability of each mounting option. Testing is recommended prior to each use.**

Rev. 03/14/07